

# Emergency Exit Sign Lighting

## Version „OMEGA“



### Emergency Exit Sign Lighting Version „OMEGA“

**Cantilever mounted lamp  
Central battery system**

**Recognition distance:**

- **20 m**
- **30 m**

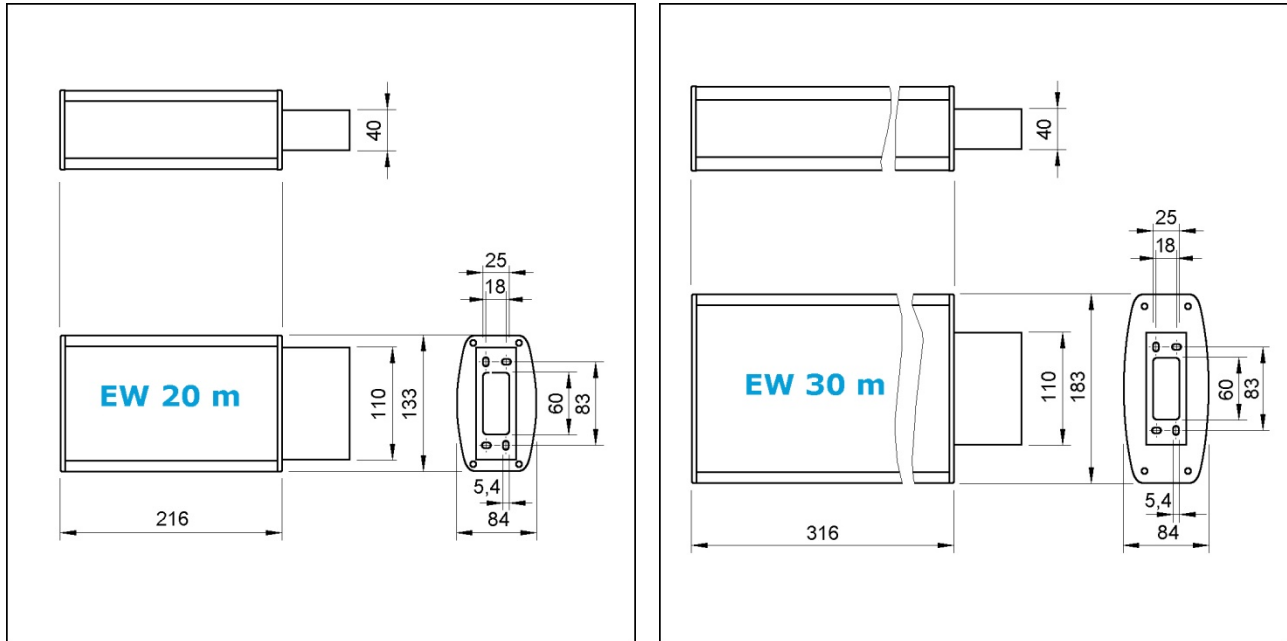
### Specification

Version	OMEGA	
Recognition distance	20 m / 30m	
Mounting	Cantilever mounted	
Light source	2 x 3 W LED	
Power	24 V with monitoring single lamps	6,0 W
	230 V with monitoring single lamps	8,0 VA
	230 V without monitoring single lamps	7,1 VA
Ambient temperature	-10 °C - +40 °C	
IP class	IP 30	
Protection class	I for 230 V	
	III for 24 V	
Housing	Aluminium profile, steel sheet coloured	
Weight	ca. 1,1 kg / 1,4 kg	
Dimension (l x w x h) (20 m/30 m)	133 x 216 x 78 mm / 193 x 316 x 84 mm	
Pictogram	Pictogram set according to DIN 4844 ( ← / ↓ / → )	
Luminance	Limit of luminance of 500 cd/m <sup>2</sup> according to DIN 4844-1 is clearly exceeded in mains operation. The luminance in emergency operation is higher than required by DIN EN 1838.	
Terminal	WAGO Lighting connector 2,5 mm <sup>2</sup>	
Special option	Special pictograms optionally	

### Order information

		X=Standard: Alu natural	Special colour: Y=RAL colour
<b>24 V with monitoring single lamps</b>	20 m	<a href="#">711700-OM/Z24/20/X/WA/8/LU</a>	<a href="#">711760-OM/Z24/20/Y/WA/8/LU</a>
	30 m	<a href="#">722540-OM/Z24/30/X/WA/8/LU</a>	<a href="#">722590-OM/Z24/30/Y/WA/8/LU</a>
<b>230 V with monitoring single lamps</b>	20 m	<a href="#">711630 - OM/Z/20/X/WA/8/LU</a>	<a href="#">711690 - OM/Z/20/Y/WA/8/LU</a>
	30 m	<a href="#">722390 - OM/Z/30/X/WA/8/LU</a>	<a href="#">722340 - OM/Z/30/Y/WA/8/LU</a>
<b>230 V without monitoring single lamps</b>	20 m	<a href="#">711530 - OM/Z/20/X/WA/N/LU</a>	<a href="#">711590 - OM/Z/20/Y/WA/N/LU</a>
	30 m	<a href="#">722190 - OM/Z/30/X/WA/N/LU</a>	<a href="#">722140 - OM/Z/30/Y/WA/N/LU</a>

## Dimension



## Installation

See document „Installation instruction Emergency exit sign lighting version OMEGA“.

### Forchheim und Willing GmbH

Südstraße 21  
09221 Neukirchen / Erzgebirge - Germany

Phone: 0049 371 27816-0  
Fax: 0049 371 27816-29  
E-Mail: [info@forchheim-willing.de](mailto:info@forchheim-willing.de)  
Internet: [www.forchheim-willing.de](http://www.forchheim-willing.de)