

Emergency Exit Sign Lighting



Version „SIGMA“



Emergency Exit Sign Lighting Version „SIGMA“

Surface mounted lamp /
cable suspended
Central battery system

Recognition distance:

- 20 m
- 30 m

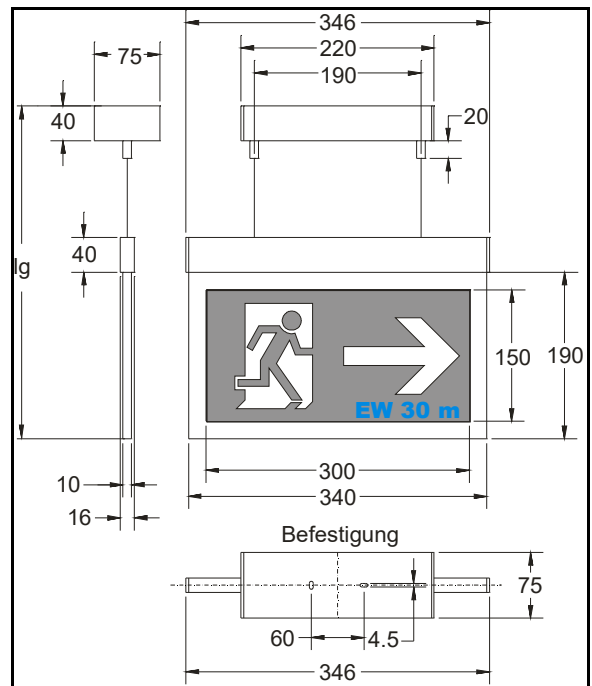
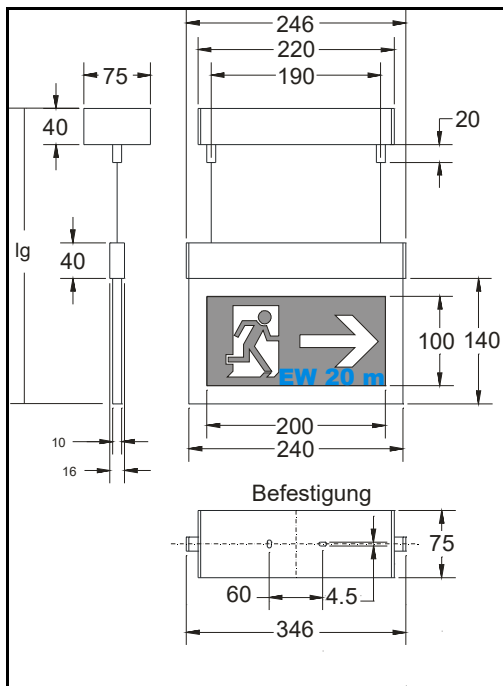
Specification

Version	SIGMA	
Recognition distance	20 m / 30 m	
Mounting	Surface mounted, cable suspended	
Light source	5x0,4W LED / 10 x 0,4W LED	
Power	24 V with monitoring single lamps	2,5 W/ 5,0 W
	230 V with monitoring single lamps	4,0 VA / 8,0 VA
	230 V without monitoring single lamps	3,5 VA / 7,5 VA
Ambient temperature	-10 + 40°C	
IP class	IP 40	
Protection class	I for 230V / III for 24 V	
Housing	Aluminium profile, steel sheet coloured	
Weight	ca. 0,9 kg / 1,1Kg	
Dimension (l x w x h)	230 x 246 x 75 mm / 280 x 346 x 75 mm	
Pictogram	Pictogram set according to DIN 4844 (← / ↓ / →)	
Luminance	Limit of luminance of 500 cd/m ² according to DIN 4844-1 is clearly exceeded in mains operation. The luminance in emergency operation is higher than required by DIN EN 1838.	
Terminal	WAGO Lighting connector 2,5 mm ²	
Special option	Special pictograms optionally	

Order information

		X = Standard: Alu natural	Special colour: Y = RAL colour
24 V with monitoring single lamps	20m	741516 - SI/Z-24/20/X/S/8	SI/Z-24/20/Z/S/8
	30m	741216 - SI/Z-24/30/X/S/8	SI/Z-24/30/Z/S/8
230 V with monitoring single lamps	20m	741316 - SI/Z/20/X/S/8	SI/Z/20/Z/S/8
	30m	742316 - SI/Z/30/X/S/8	SI/Z/30/Z/S/8
230 V without monitoring single lamps	20m	742116 - SI/Z/20/X/S/N	SI/Z/20/Z/S/N
	30m	742516 - SI/Z/30/X/S/N	SI/Z/30/Z/S/N

Dimension



Installation

See document „Installation instruction Emergency exit sign lighting version SIGMA“

Forchheim und Willing GmbH

Südstraße 21
09221 Neukirchen / Erzgebirge - Germany

Phone: 0049 371 27816-0
Fax: 0049 371 27816-29
E-Mail: info@forchheim-willing.de
Internet: www.forchheim-willing.de