

# Emergency Exit Sign Lighting



## Version „SIGMA“



### Emergency Exit Sign Lighting Version „SIGMA“

**Wall mounted lamp  
Central battery system**

Recognition distance:

- 20 m
- 30 m

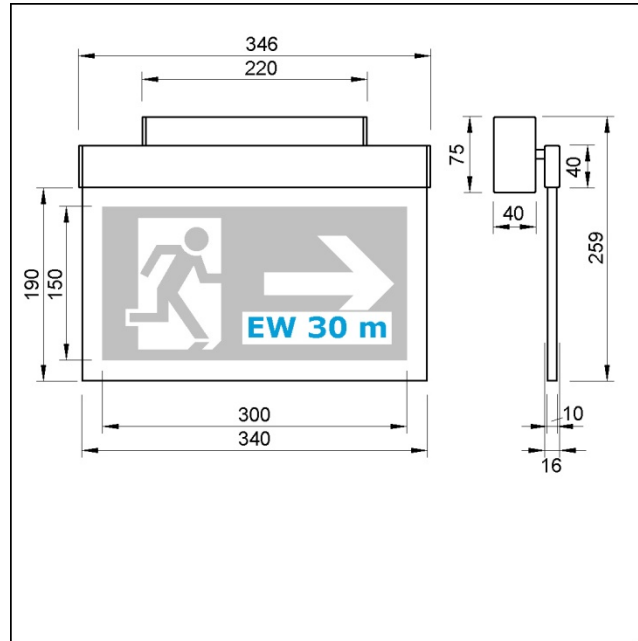
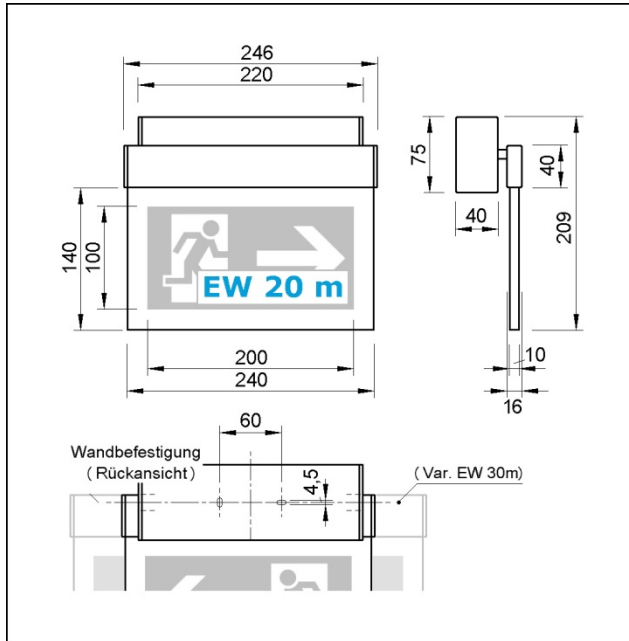
### Specification

Version	SIGMA		
Recognition distance	20 m / 30 m		
Mounting	Wall mounted		
Light source	5 x 0,4 W LED / 10 x 0,4 W LED		
Power	24 V with monitoring single lamps	2,5 VA / 5,0 VA	
	230 V with monitoring single lamps	4,0 VA / 8,0 VA	
	230 V without monitoring single lamps	3,5 VA / 7,5 VA	
Ambient temperature	-10 °C - +40 °C		
IP class	IP 40		
Protection class	I for 230 V / III for 24 V		
Housing	Aluminium profile, steel sheet coloured		
Weight	ca. 0,9 kg / 1,1 kg		
Dimension (l x w x h) (20 m/30 m)	209 x 246 x 66 mm / 259 x 346 x 66 mm		
Pictogram	Pictogram set according to DIN 4844 ( ← / ↓ / → )		
Luminance	Limit of luminance of 500 cd/m <sup>2</sup> according to DIN 4844-1 is clearly exceeded in mains operation. The luminance in emergency operation is higher than required by DIN EN 1838.		
Terminal	WAGO Lighting connector 2,5 mm <sup>2</sup>		
Special option	Special pictograms optionally		

### Order information

		X = Standard: Alu natural	Special colour: Y = RAL colour
24 V with monitoring single lamps	20 m	741400 - SI/Z-24/20/X/W	741450 - SI/Z-24/20/Y/W
	30 m	741500 - SI/Z-24/30/X/W	741550 - SI/Z-24/30/Y/W
230 V with monitoring single lamps	20 m	741300 - SI/Z/20/X/W/08	741350 - SI/Z/20/Y/W/08
	30 m	742300 - SI/Z/30/X/W/08	742350 - SI/Z/30/Y/W/08
230 V without monitoring single lamps	20 m	741100 - SI/Z/20/X/W/N	741150 - SI/Z/20/Y/W/N
	30 m	742100 - SI/Z/30/X/W/N	742150 - SI/Z/30/Y/W/N

## Dimension



## Montage

See document „Installation instruction Emergency exit sign lighting version SIGMA“

### Forchheim und Willing GmbH

Südstraße 21  
09221 Neukirchen / Erzgebirge - Germany

Phone: 0049 371 27816-0  
Fax: 0049 371 27816-29  
E-Mail: [info@forchheim-willing.de](mailto:info@forchheim-willing.de)  
Internet: [www.forchheim-willing.de](http://www.forchheim-willing.de)